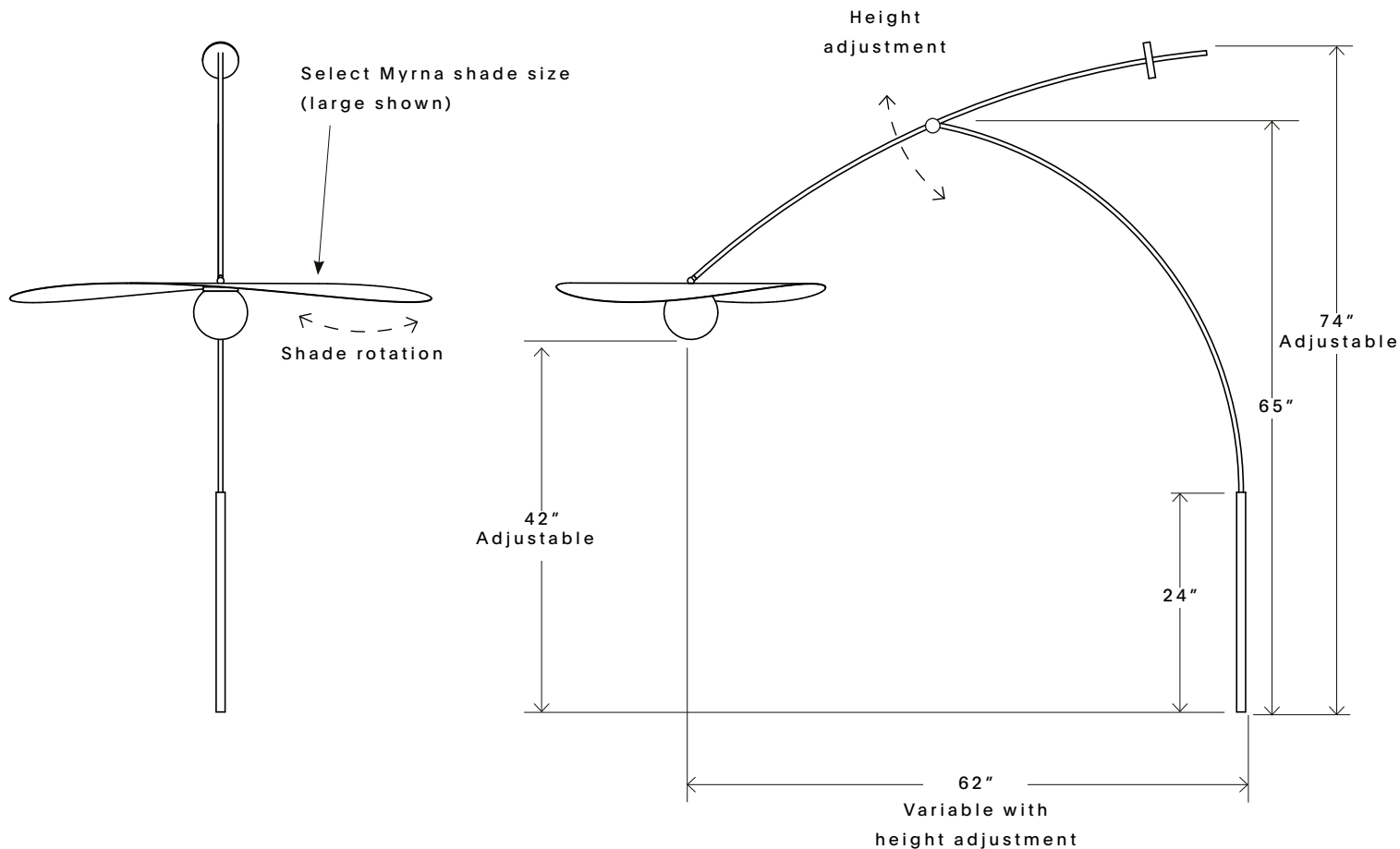


# Myrna Swing Arm - Large



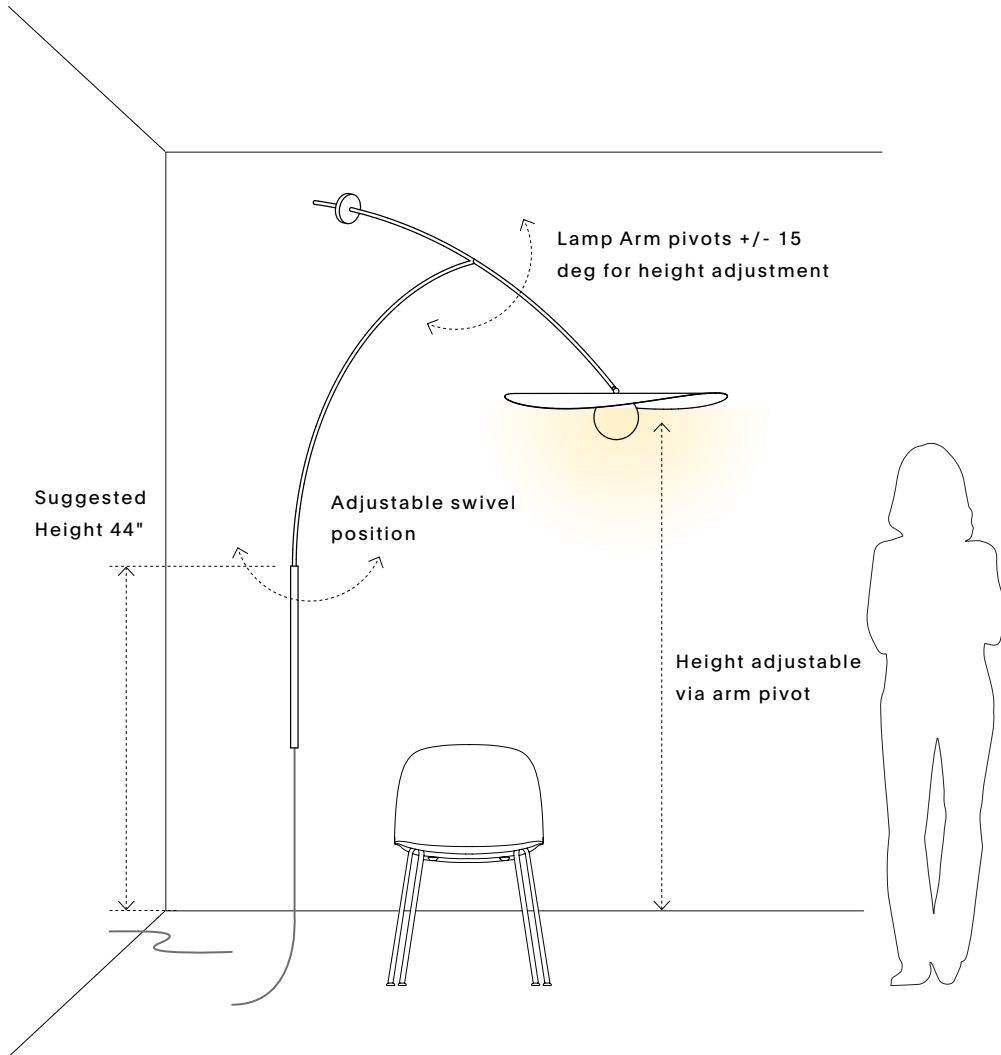
## APPEARANCE

Materials	Steel, perforated aluminum, glass globe
Finishes	See Material Options page
Customize	Finishes, Materials, Colors, Size

## TECHNICAL

Socket / Lamp	E26 socket, G16.5 or A15 bulb
Watt / Volt	25W max line voltage to 300v; plug in or hardwired
Compatibility	Most North American and European standard systems
Certification	UL
Weight	15 lb.

# Myrna Swing Arm - Large



## REC. USE / SPACES

Ambient/accent lighting  
Living room  
Statement corner  
Lobby / Entrance



### BULB

E26 socket with  
G16.5 or A15 bulb  
(available separately)



### COLOR TEMP

2700K  
recommended



### LUMENS SCALE

Variable



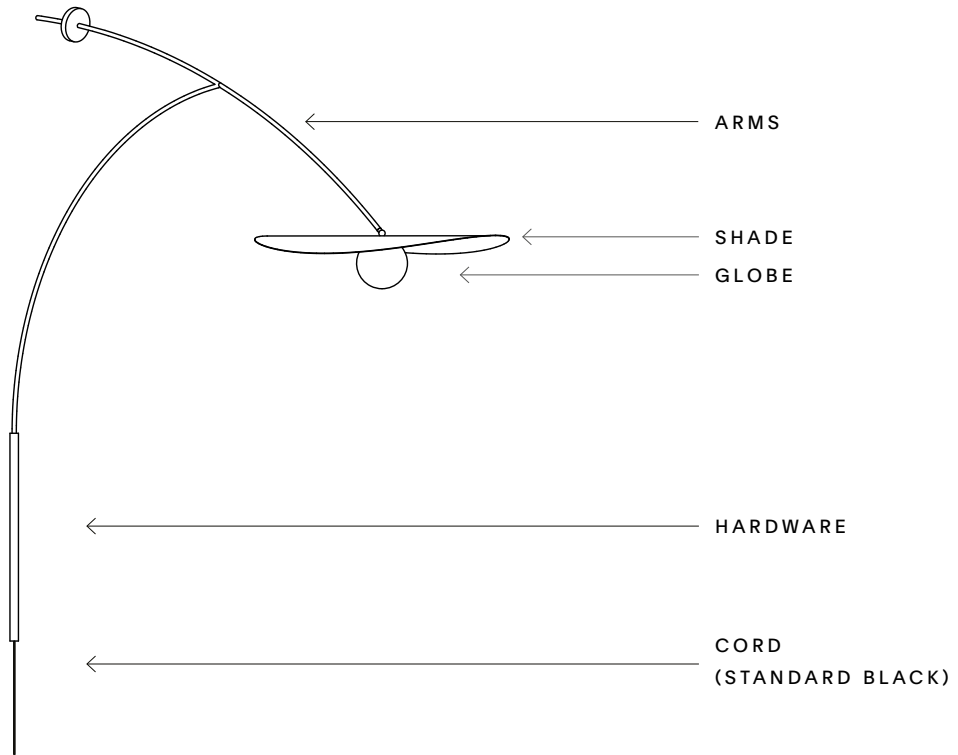
### DIMMING

Integrated switch  
or wall dimmer  
(specify preference)

### OTHER NOTES

Plug-in or hard-wired version

# Myrna Swing Arm - Large



## MATERIAL OPTIONS

\*A vast array of custom materials and finishes are available for most products upon request.

### HARDWARE



Blackened  
Brass

### SHADE



Perforated  
Smoke

### GLOBE



White  
(opaque)



Cream  
(translucent)



Fog  
(opaque)

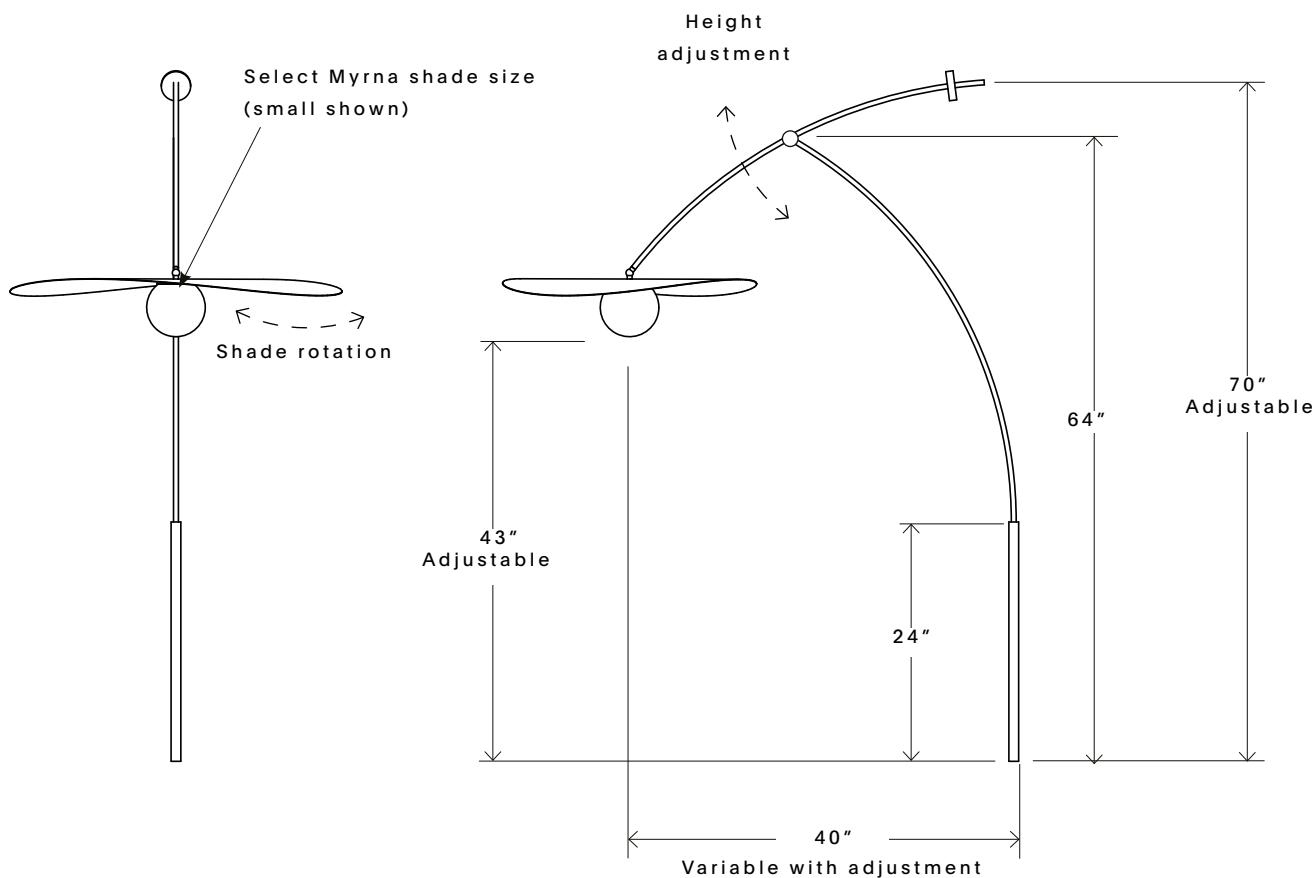


Rust  
(translucent)



Cream  
(opaque)

# Myrna Swing Arm - Small



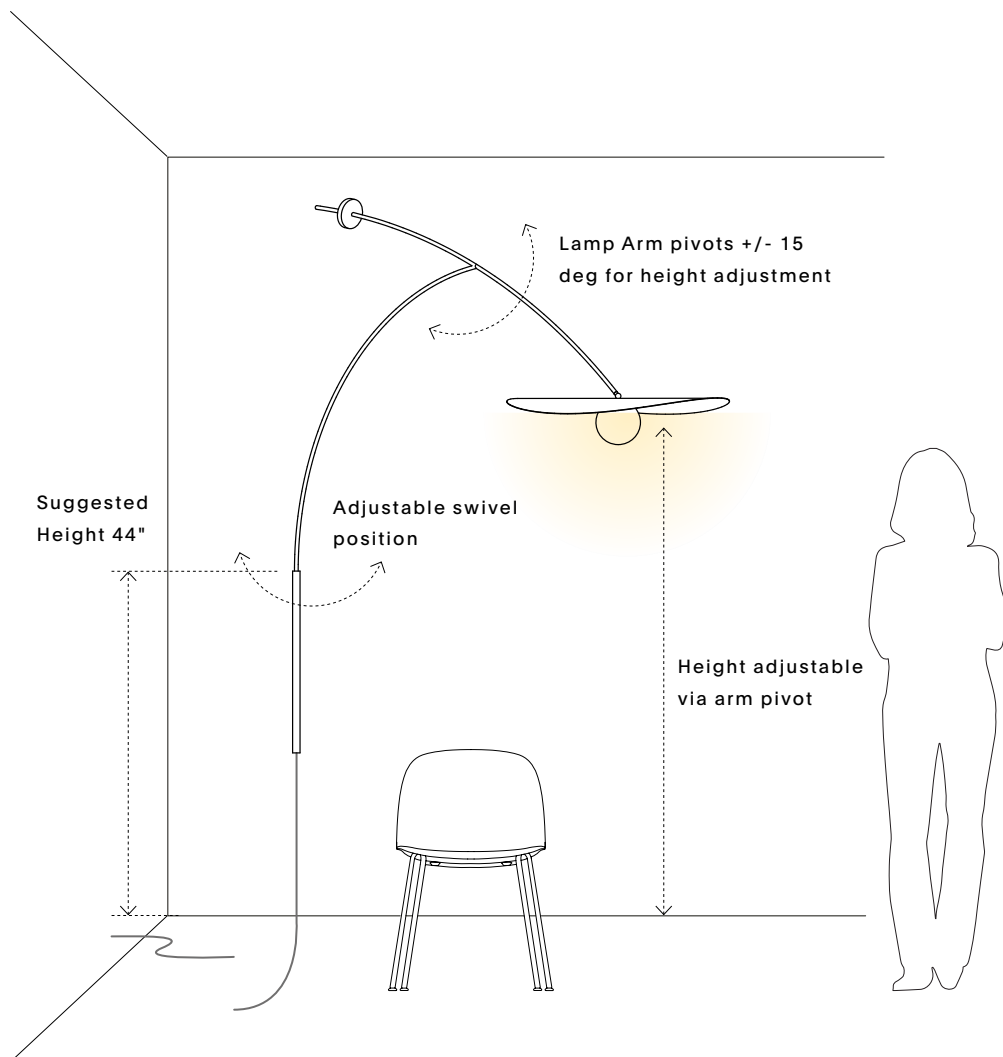
## APPEARANCE

Materials	Steel, perforated aluminum, glass globe
Finishes	See Material Options page
Customize	Finishes, Materials, Colors, Size

## TECHNICAL

Socket / Lamp	E26 socket, G16.5 or A15 bulb
Watt / Volt	25W max line voltage to 300v; plug in or hardwired
Compatibility	Most North American and European standard systems
Certification	UL
Weight	15 lb.

# Myrna Swing Arm - Small



## REC. USE / SPACES

Ambient/accent lighting  
Living room  
Statement corner  
Lobby / Entrance



### BULB

E26 socket with  
G16.5 or A15 bulb  
(available separately)



### COLOR TEMP

2700K  
recommended



### LUMENS SCALE

Variable



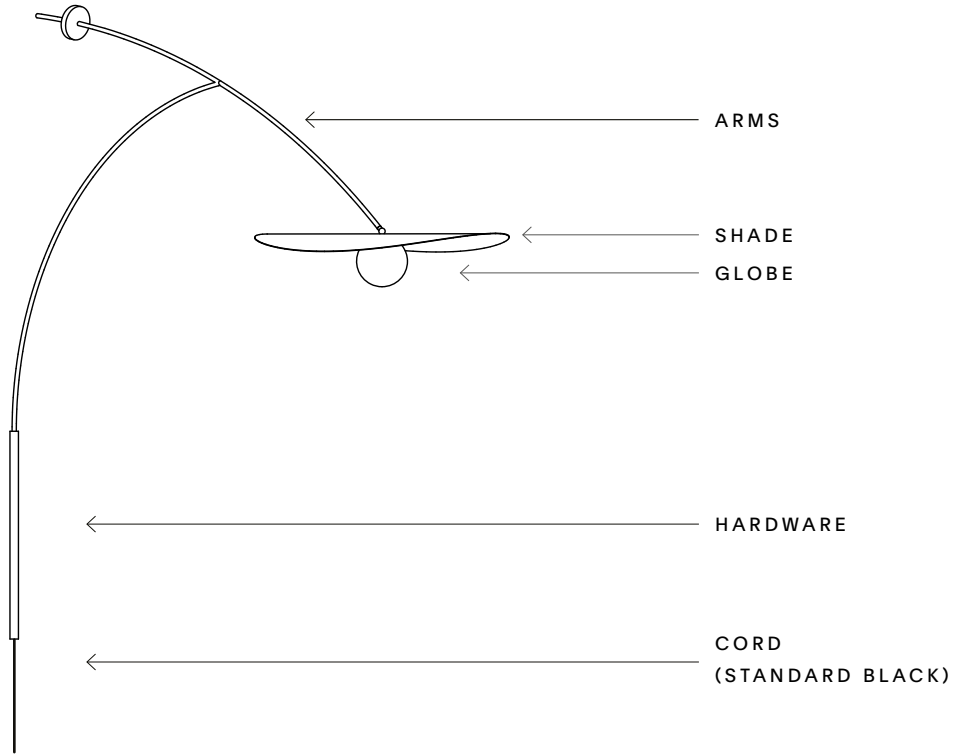
### DIMMING

Integrated switch  
or wall dimmer  
(specify preference)

### OTHER NOTES

Plug-in or hard-wired version

# Myrna Swing Arm - Small



## MATERIAL OPTIONS

\*A vast array of custom materials and finishes are available for most products upon request.

### HARDWARE



Blackened  
Brass

### SHADE



Perforated  
Smoke

### GLOBE



White  
(opaque)



Cream  
(translucent)



Fog  
(opaque)



Rust  
(translucent)



Cream  
(opaque)