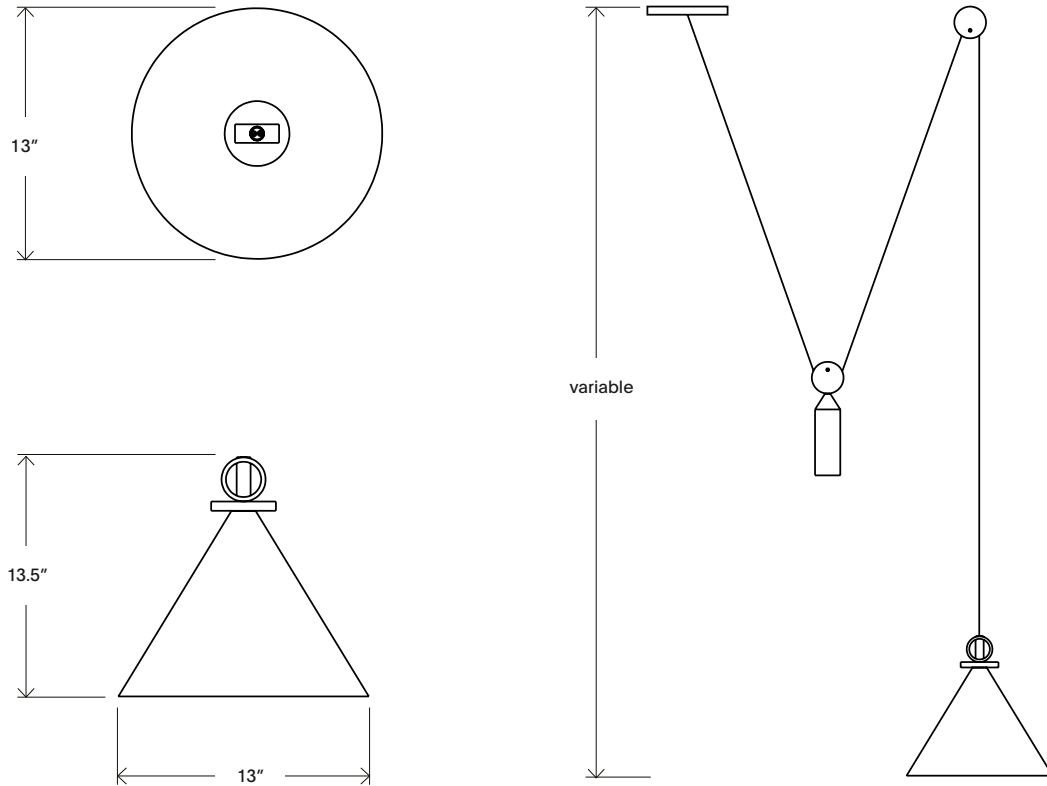


Shape Up Pendant – Cone



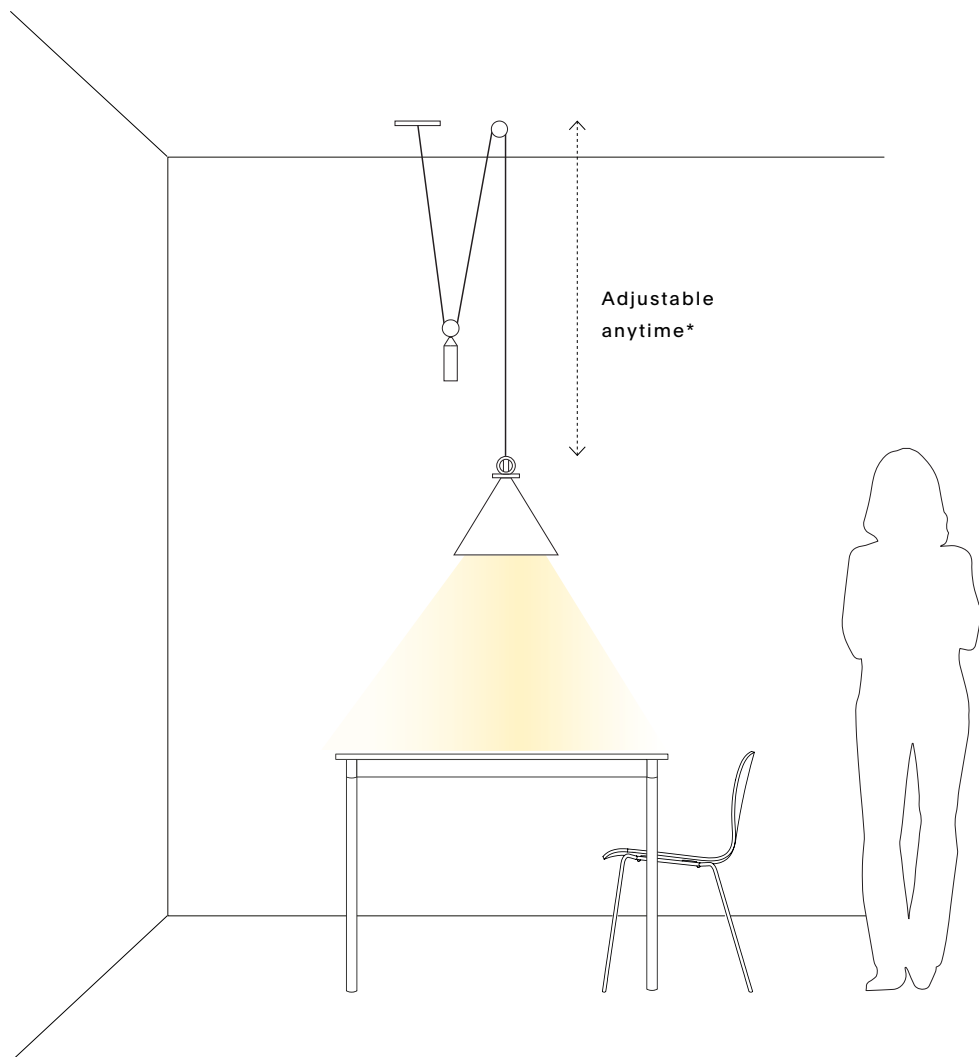
APPEARANCE

Materials	Steel, brass, aluminum
Suspension	12' black or currant fabric, adjustable
Canopy	5" round brass
Finishes	See Material Options page
Customize	Finish, colors, configuration

TECHNICAL

Socket / Lamp	G4; Bulb: 2.6w / 12v LED
Watt / Volt	5.2w; 120v or 220v
Lamp detail	30 lumens, 2700k, 50000 hours, dimmable
Compatibility	Most international
Certification	UL
Weight	10 lb.

Shape Up Pendant – Cone



REC. USE / SPACES

Direct lighting
Dining room
Living room
Bedside
Statement corner
Kitchen Island

PREPARE FOR INSTALL

This is a low voltage fixture. Plan to accommodate the power supply prior to installation.

Allow for storage of power supply in the electrical box or elsewhere according to local guidelines.

Transformer size: 2.2" x 1.3" x .85"

Power supply model:
120V: LTF TA60WD12LED
220V: LTF TU60WD12LED

Additional specifications available by searching for the model number at lfttechnology.com.



BULB

Included
G4 bi-pin
2.6w, 12V LED



COLOR TEMP

2700K



LUMENS SCALE

30 lm



DIMMING

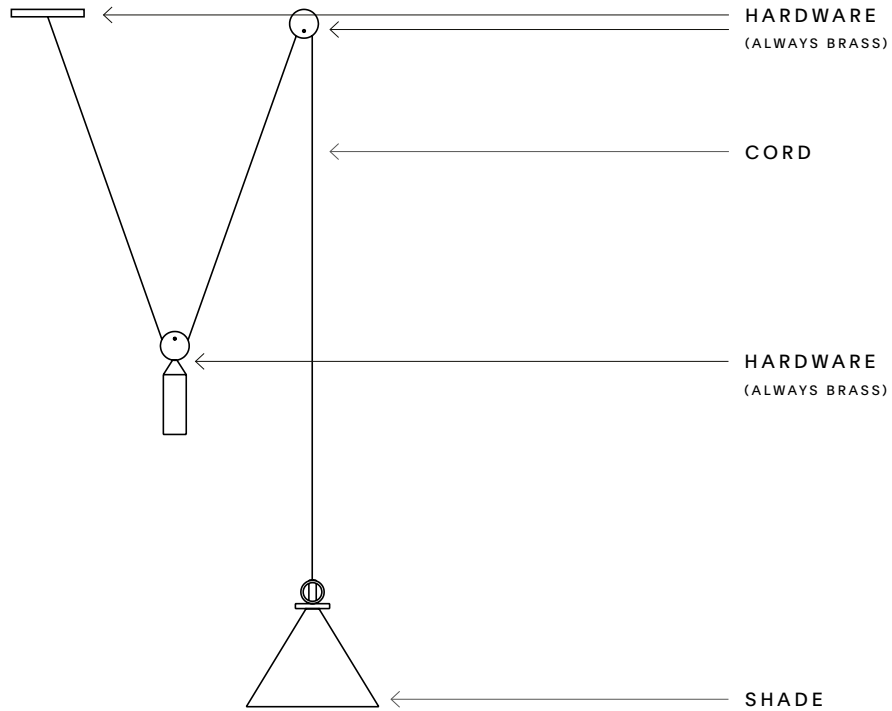
ELV

OTHER NOTES

Electronic wall dimmer required

* Standard installation allows for up to 8' drop from ceiling

Shape Up Pendant – Cone



MATERIAL OPTIONS

*A vast array of custom materials and finishes are available for most products upon request.

HARDWARE



Brass
(brushed)

CORD



Currant



Black

SHADE



Brass
(brushed)



Blackened
Steel



Copper
(brushed)

Shape Up - Pendants

