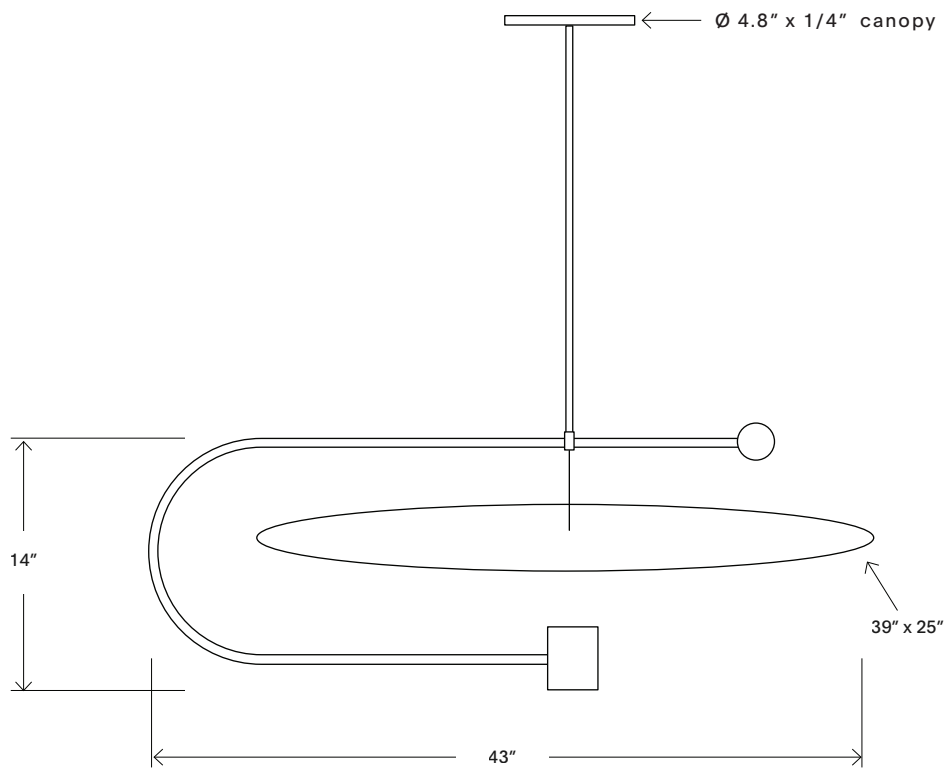


Float Wide



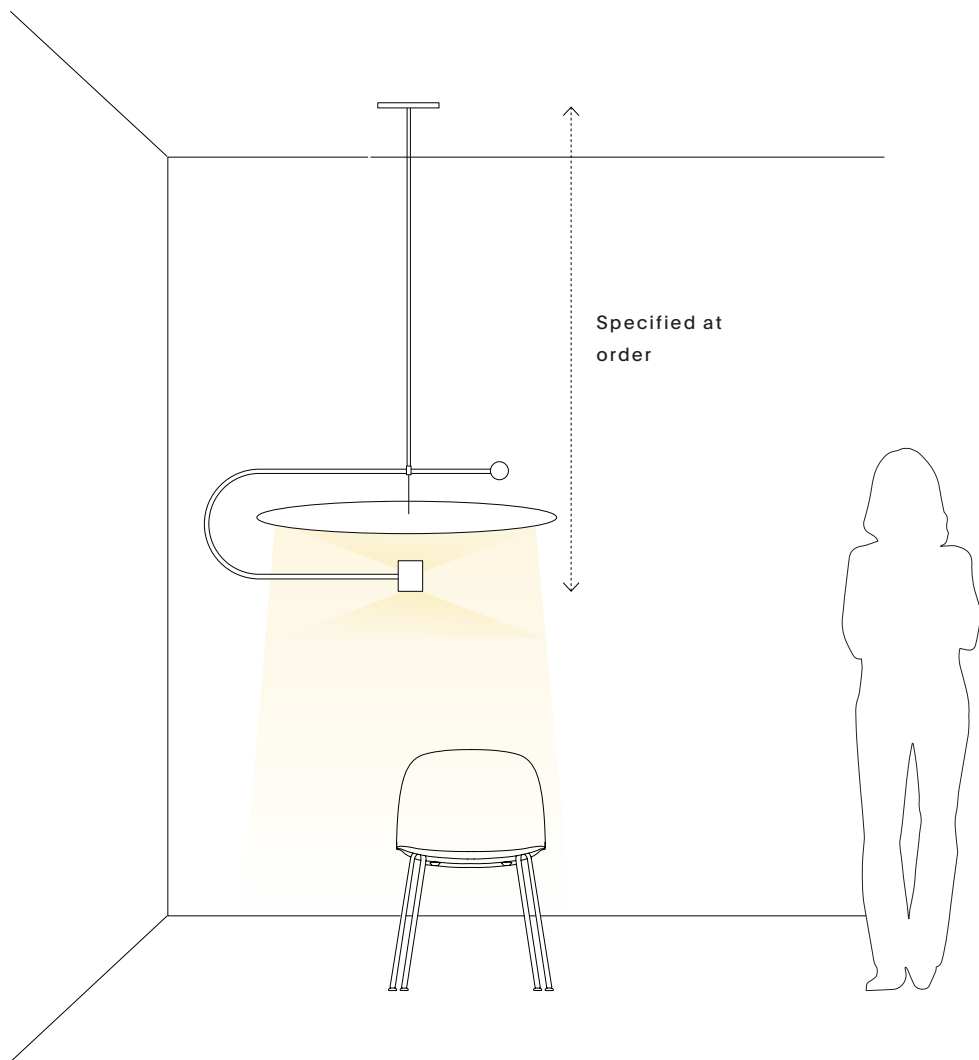
APPEARANCE

Materials	Aluminum, Steel, Brass
Finishes	See Material Options page
Customize	Finishes, Materials, Colors, Size

TECHNICAL

Socket / Lamp	Integrated coiled LED strip
Watt / Volt	40W with 24v power supply; universal input voltage: 100-305V
Compatibility	Most North American and European standard systems
Certification	UL
Weight	8 lb.

Float Wide



REC. USE / SPACES

Ambient/accent lighting
Living room
Statement corner

PREPARE FOR INSTALL

Float is a low voltage fixture.
Plan to accommodate the power supply prior to installation.

Allow for storage of power supply in the electrical box or elsewhere according to local guidelines.

Power supply size: 4.3" x 2.2" x .94" (Class 2 power supply)

Power supply model:
120V: LTF DS40W24VUD-3002
220V: LTF DS40W24VUD-3002

Dimmer Compatibility: All in-one dimming; Triac, ELV, 0-10V with universal input voltage: 100-305V AC

Additional specifications available by searching for the model number at lfttechnology.com.



BULB

Integrated LED



COLOR TEMP

2700K



LUMENS SCALE

800lm



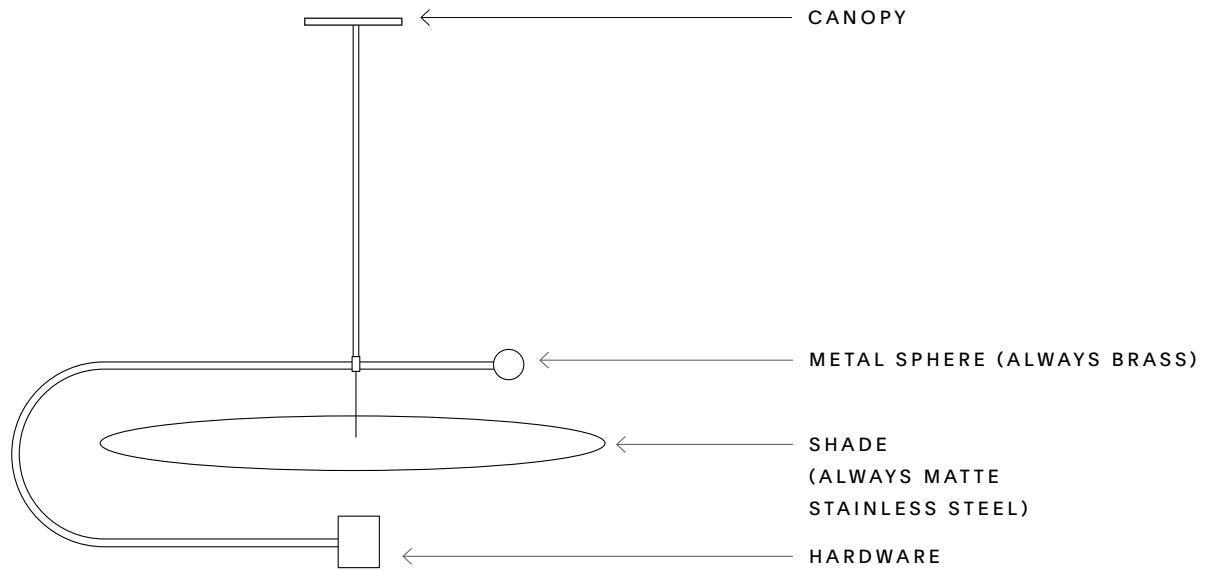
DIMMING

All in-one dimming
Triac, ELV, 0-10V

OTHER NOTES

Electronic wall dimmer required

Float Wide



MATERIAL OPTIONS

*A vast array of custom materials and finishes are available for most products upon request.

HARDWARE



Brass
(brushed)



Blackened
Brass

Float Wide

